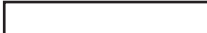


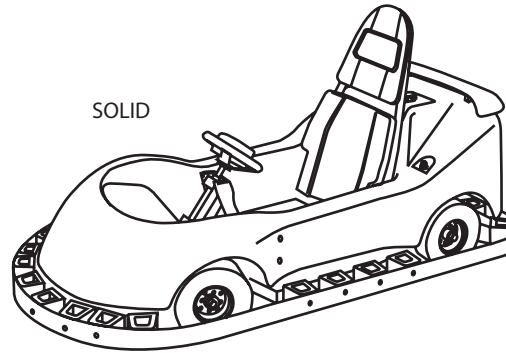
# STINGER

Color "A" = 

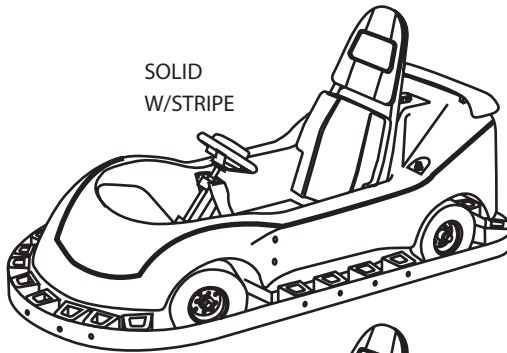
Color "B" = 

Layout Selection: Name the layout you want and pick the colors for areas A and B from our color selection chart. Indicate the racing number you want for each car.

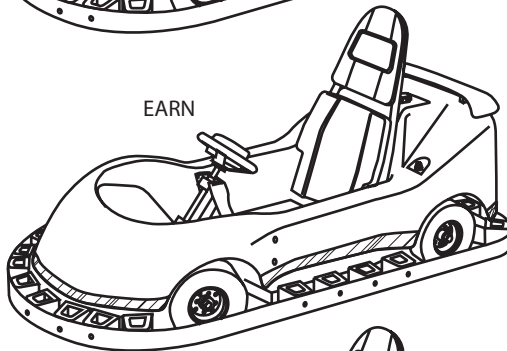
SOLID



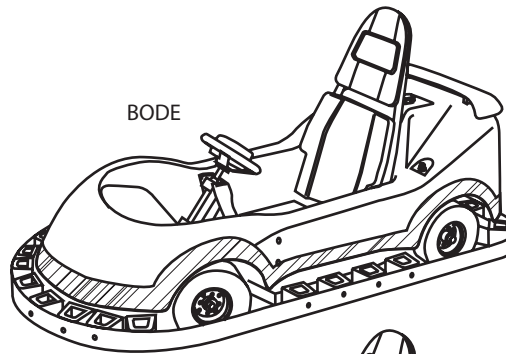
SOLID  
W/STRIPE



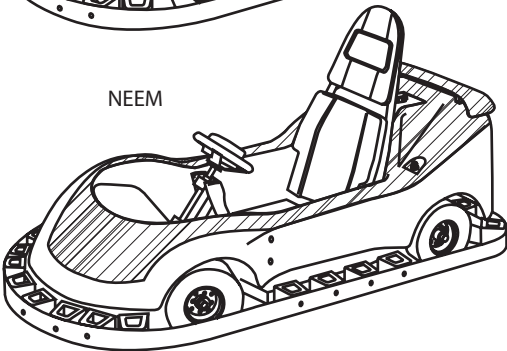
EARN



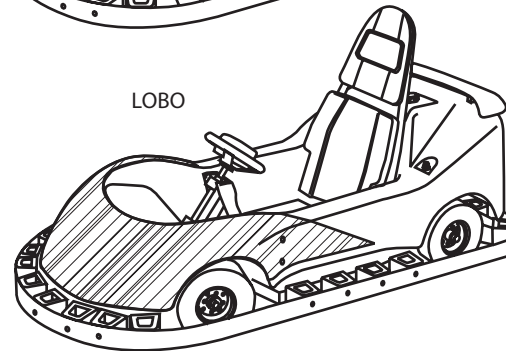
BODE



NEEM



LOBO



JARR

